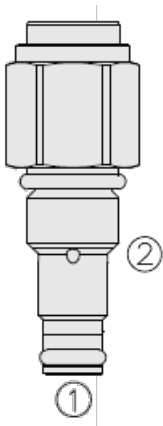




Overview



Description

FR04-20F is a screw-in, cartridge style, fixed orifice, pressure compensated, hydraulic flow regulator valve (restrictive type).

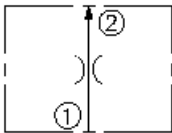
Operation

The valve maintains a constant flow rate from port 1 to port 2 regardless of load pressure changes. Reverse flow returns through the control orifice and is non-compensated.

Features

- Choice of several flow settings available.
- Hardened parts for long life.
- Quiet, modulated response.
- Compact size.

Symbol



Ratings

Pressure Ratings

Pressure rating	240 bar (3500 psi)
Proof pressure	345 bar (5000 psi)
Burst pressure	896 bar (13000 psi)

Flow Ratings

Flow rating	0.4 lpm (0.10 gpm)	- Note: M0.4
	1.0 lpm (0.26 gpm)	- Note: M1.0
	2.0 lpm (0.53 gpm)	- Note: M2.0
	3.0 lpm (0.79 gpm)	- Note: M3.0

Temperature Ratings

Operating fluid temperature	-40 to 100 °C (-40 to 212 °F)	- Note: With buna N seals
	-26 to 204 °C (-15 to 400 °F)	- Note: With fluorocarbon seals
	-54 to 107 °C (-65 to 225 °F)	- Note: With polyurethane seals
Storage temperature	-40 to 70 °C (-40 to 160 °F)	
Ambient temperature	-40 to 70 °C (-40 to 160 °F)	

Other Ratings

Corrosion protection	960 hr salt spray per ASTM b117
----------------------	---------------------------------

Operating Parameters

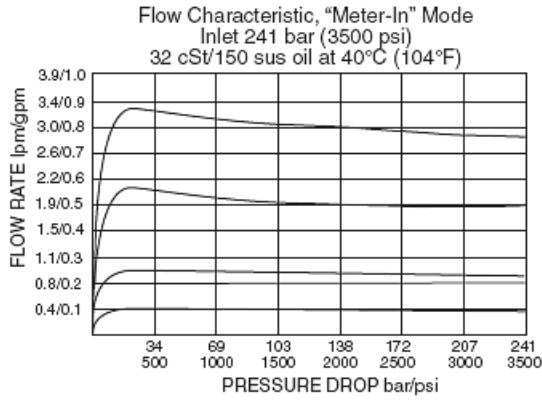
Fluids	Mineral based or synthetic hydraulic fluid with lubricating properties
Fluid viscosity range	7.4 to 420 cSt
Maximum operating contamination level	18/16/13 per ISO 4406

Properties

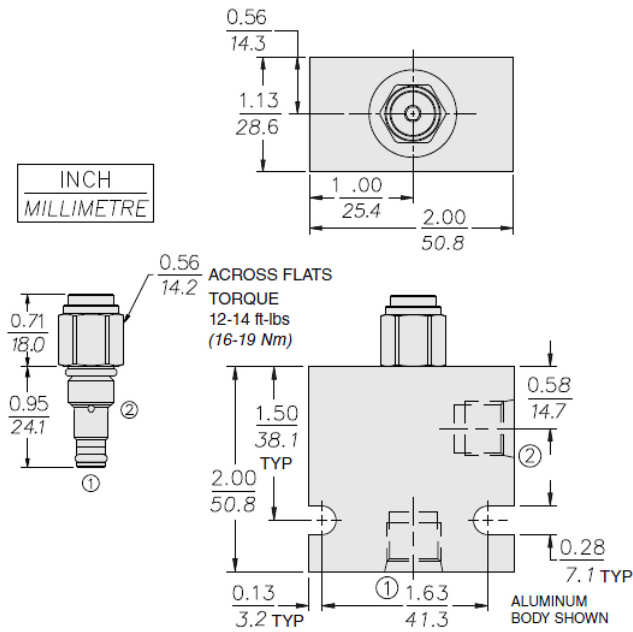
Unit weight	0.03 kg (0.06 lb)
Internal wetted surface area	21.0 cm ² (3.26 in ²)



Performance



Dimensions



Installation Specifications

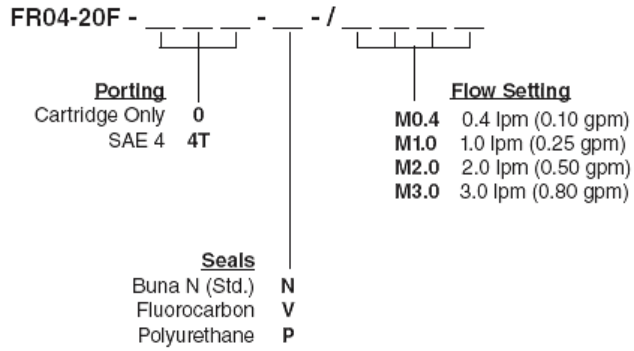
Cavity	VC04-2
Cartridge installation torque	16 to 19 N-m (12 to 14 ft-lb)
Maximum allowable torque	27 N-m (20 ft-lb) - Note: Maximum allowable torque
Orientation restriction	None

Accessories

Seal kit	SK04-2X-B	- Note: X = seal option
----------	-----------	--------------------------------



Order Code



Model Options

FR04-20F-H-J-T

H Line Body

CODE	DESCRIPTION
0	No Body

J Seal

CODE	DESCRIPTION
N	Buna-N
V	Fluorocarbon
P	Polyurethane

T Flow setting

CODE	DESCRIPTION
M0.4	0.10 gpm (0.4 lpm)
M1.0	0.26 gpm (1.0 lpm)
M2.0	0.53 gpm (2.0 lpm)
M3.0	0.79 gpm (3.0 lpm)