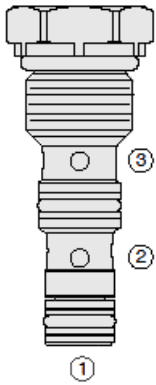




## Overview



### Description

A load shuttle, screw-in, cartridge style, hydraulic check valve, for use in blocking circuits where a priority of flow/direction is given to a higher pressure circuit over a lower one.

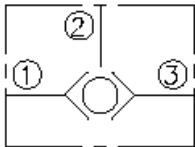
### Operation

The HLS06-30 will allow flow from the higher pressure port 1 or 3 to port 2.

### Features

- Rapid response to load direction changes.
- Compact size.
- Lower pressure drop.
- Reduced space claim and smaller hydraulic "footprint".
- All HyPerformance products are tested to the rigorous standards of the NFPA specification T2.6.1.
- All HyPerformance valves are tested at a verification level of 90% and an assurance of 99%.

### Symbol



## Ratings

### Pressure Ratings

Pressure rating	350 bar (5075 psi) 420 bar (6090 psi)	<b>- Note:</b> 10% cycle life
Proof pressure	690 bar (10000 psi)	
Burst pressure	1380 bar (20000 psi)	

### Flow Ratings

Flow rating	7.6 lpm (2 gpm)	<b>- Note:</b> At 350 bar (5075 psi)
Maximum internal leakage	0.10 ml/min (2 drops/min)	

### Other Ratings

Cycle life	One million cycles
------------	--------------------

### Temperature Ratings

Operating fluid temperature	-40 to 100 °C (-40 to 212 °F)	<b>- Note:</b> Buna N
	-26 to 204 °C (-15 to 400 °F)	<b>- Note:</b> Viton
	-54 to 107 °C (-65 to 225 °F)	<b>- Note:</b> Urethane
Storage temperature	-40 to 70 °C (-40 to 160 °F)	
Ambient temperature	-40 to 90 °C (-40 to 194 °F)	

## Operating Parameters

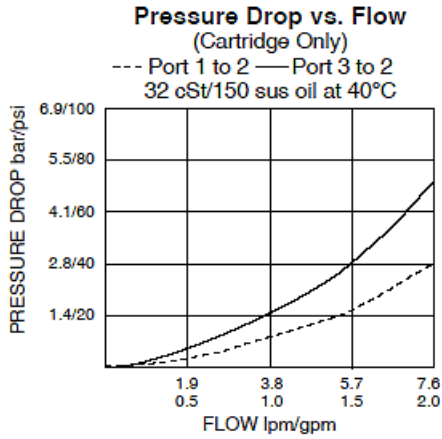
Fluids	Mineral based or synthetic hydraulic fluid with lubricating properties
Fluid viscosity range	7.4 to 420 cSt
Maximum operating contamination level	18/16/13 per ISO 4406

## Properties

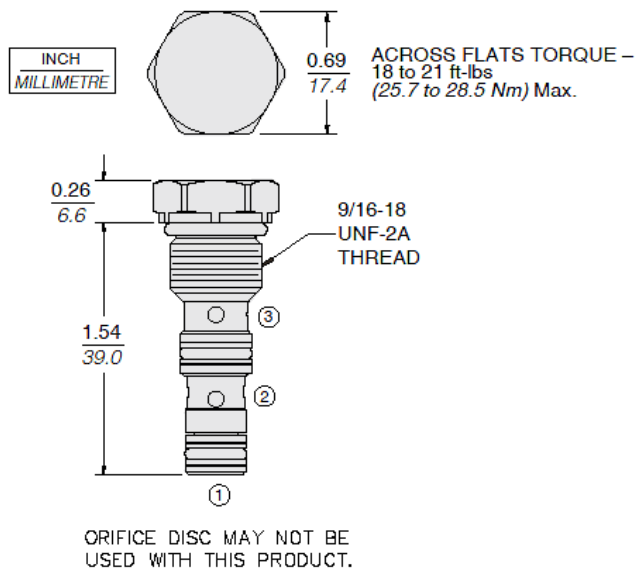
Unit weight	0.04 kg (0.08 lb)
Internal wetted surface area	35.5 cm <sup>2</sup> (5.5 in <sup>2</sup> )



## Performance



## Dimensions



## Installation Specifications

Cavity	HVC06-3
Cartridge installation torque	25.7 to 28.5 N-m (19 to 21 ft-lb)
Orientation restriction	None

## Accessories

Seal kit	SK06-3N-MM	- <b>Note:</b> Buna N
	SK06-3V-MM	- <b>Note:</b> Viton
	SK06-3HV-MM	- <b>Note:</b> Viton
	SK06-3U-00	- <b>Note:</b> Urethane



## Order Code

HLS06-30-

**Porting**  
Cartridge Only

0

**Seals**

- N Buna N
- V Fluorocarbon
- U PPDI Urethane\*

\*PPDI Urethane seals recommended for operating pressures above 241 bar/3500 psi.

Consult factory for other available options.

### Model Options

HLS06-30-H-J

#### H Line Body

CODE	DESCRIPTION
0	No Body

#### J Seal

CODE	DESCRIPTION
N	Buna-N
V	Fluorocarbon
U	PPDI Urethane