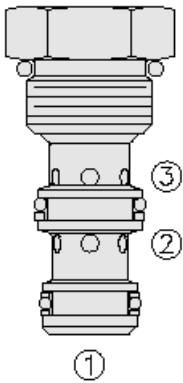




Overview



Description

The PC08-30 is a screw-in, cartridge style, pilot operated, hydraulic check valve used for blocking or load holding circuits.

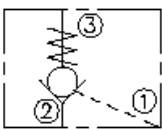
Operation

It allows free flow from port 2 to 3, while normally blocking flow from port 3 to 2. Flow will be allowed from port 3 to 2 when pressure is applied at port 1.

Features

- Hardened seat for long life and low leakage.
- Optional sealed piston.
- Optional spring ranges.
- Compact size.

Symbol



Ratings

Pressure Ratings

Pressure rating 241 bar (3500 psi)

Flow Ratings

Flow rating	- Note: See performance chart	
Maximum internal leakage	0.1 ml/min (2 drops/min)	- Note: Between ports 3 and 2
	115 ml/min (7 in ³ /min)	- Note: Between ports 2 and 1
	0 ml/min (0 drops/min)	- Note: Between ports 2 and 1 with sealed piston

Temperature Ratings

Operating fluid temperature	-40 to 100 °C (-40 to 212 °F)	- Note: With buna N seals
	-26 to 204 °C (-15 to 400 °F)	- Note: With viton seals
	-54 to 107 °C (-65 to 225 °F)	- Note: With urethane seals
	-54 to 107 °C (-65 to 225 °F)	- Note: With polyurethane seals
Storage temperature	-40 to 70 °C (-40 to 160 °F)	
Ambient temperature	-40 to 70 °C (-40 to 160 °F)	

Operating Parameters

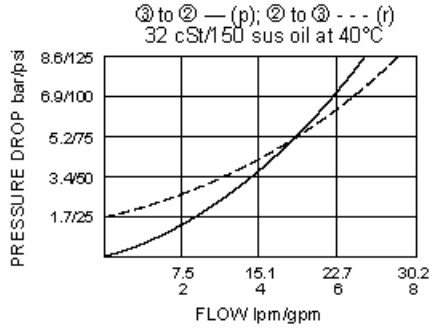
Fluids	Mineral based or synthetic hydraulic fluid with lubricating properties
Fluid viscosity range	7.4 to 420 cSt
Maximum operating contamination level	20/18/14 per ISO 4406

Properties

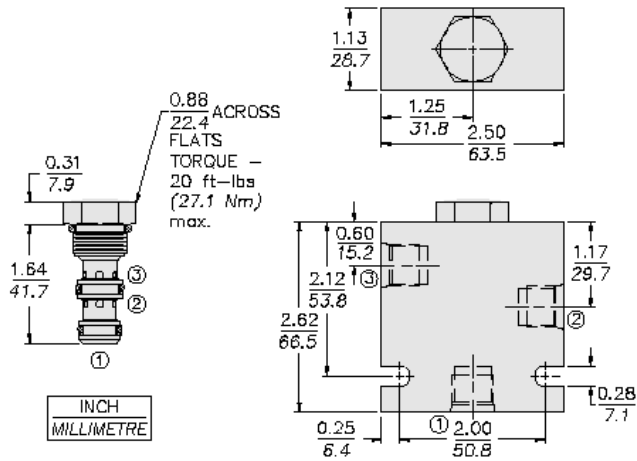
Unit weight	0.06 kg (0.14 lb)
Internal wetted surface area	88.4 cm ² (13.7 in ²)



Performance



Dimensions



Installation Specifications

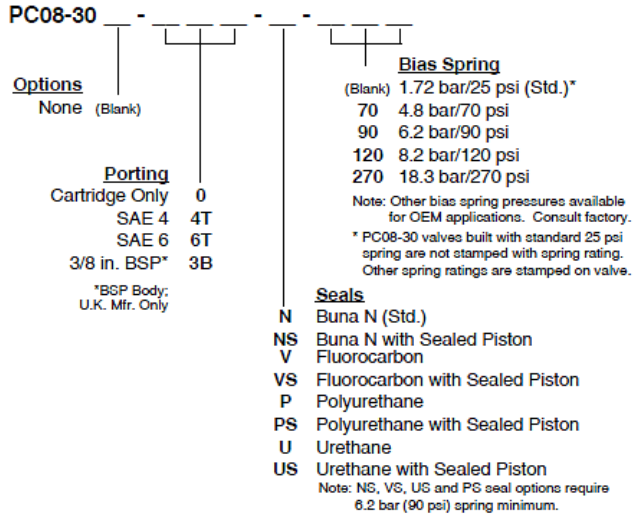
Cavity	VC08-3
Cartridge installation torque	25.8 to 28.5 N-m (19 to 21 ft-lb)
Orientation restriction	None

Accessories

Seal kit	SK08-3N-TM	- Note: Buna N
	SK08-3V-TM	- Note: Viton
	SK08-3P-TM	- Note: Polyurethane
	SK08-3U-00	- Note: Urethane



Order Code



Model Options

PC08-30-H-J-R

H Line Body

CODE	DESCRIPTION
0	No Body
4T	Aluminum SAE 4
6T	Aluminum SAE 6
6TD	Ductile Iron SAE 6
8TD	Ductile Iron SAE 8
3B	Aluminum BSPP 3/8" (3)
3BD	Ductile Iron BSPP 3/8" (3)

J Seal

CODE	DESCRIPTION
N	Buna-N
NS	Buna-N with a Sealed Spool
V	Fluorocarbon
VS	Fluorocarbon with a Sealed Spool
P	Polyurethane
PS	Polyurethane with a Sealed Spool
U	PPDI Urethane
US	PPDI Urethane with a Sealed Spool

R Spring

CODE	DESCRIPTION
70	70 psi Bias Spring
90	90 psi Bias Spring
120	120 psi Bias Spring
270	270 psi Bias Spring
BLANK	25 psi Bias Spring