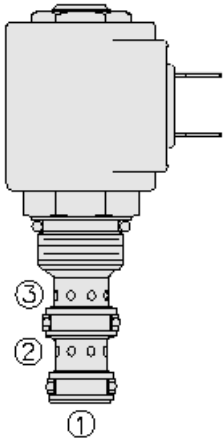




Overview



Description

A solenoid-operated, 2 position, 3 port, direct-acting, spool-type, screw in hydraulic valve.

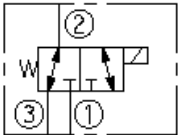
Operation

When de-energized, the SV08-35 blocks flow at port 1, while allowing flow from port 2 to port 3. When energized, the spool shifts to provide flow from port 2 to port 1, while blocking at port 3.

Features

- Continuous-duty rated coil.
- Hardened precision spool and cage for long life.
- Optional coil voltages and terminations.
- Efficient wet-armature construction.
- Cartridges are voltage interchangeable.
- All ports may be fully pressurized.
- Unitized, molded coil design.
- Manual override option.
- Optional waterproof E&C Coils rated up to IP69K.
- Industry common cavity
- Compact size.

Symbol



Ratings

Pressure Ratings

Pressure rating	207 bar (3000 psi)	
Proof pressure	241 bar (3500 psi)	- Note: SV08-35
Burst pressure	620 bar (9000 psi)	- Note: SV08-35

Flow Ratings

Flow rating	See performance graph (sheet 2)	
Maximum internal leakage	6 in ³ /min	- Note: At 210 bar (3000 psi)

Temperature Ratings

Operating fluid temperature	-40 to 100 °C (-40 to 212 °C)	- Note: With buna N seals
	-26 to 204 °C (-15 to 400 °C)	- Note: With viton seals
	-54 to 107 °C (-65 to 225 °C)	- Note: With polyurethane seals
Storage temperature	-40 to 70 °C (-40 to 160 °F)	
Ambient temperature	-40 to 70 °C (-40 to 160 °F)	

Operating Parameters

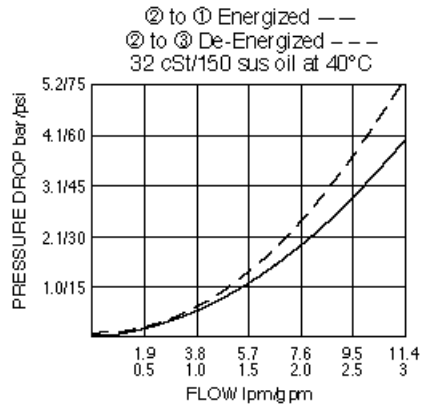
Fluids	Mineral based or synthetic hydraulic fluid with lubricating properties
Fluid viscosity range	7.4 to 420 cSt
Maximum operating contamination level	20/18/14 ISO 4406

Properties

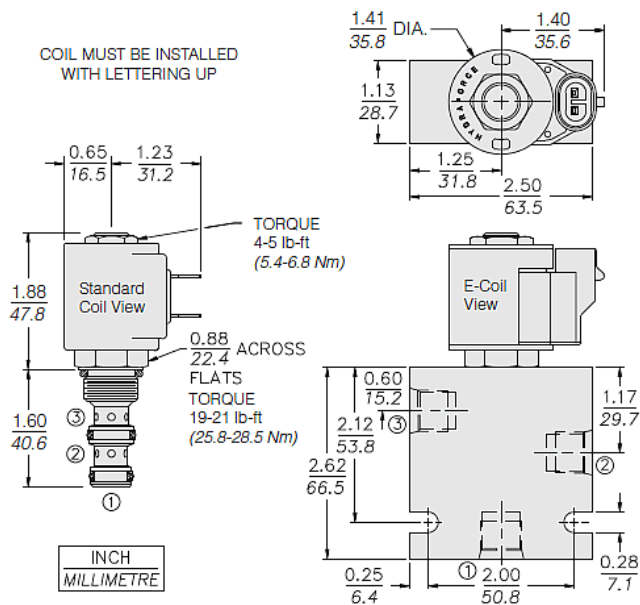
Unit weight	0.11 kg (0.24 lb)
Internal wetted surface area	100 cm ² (15.5 in ²)



Performance



Dimensions



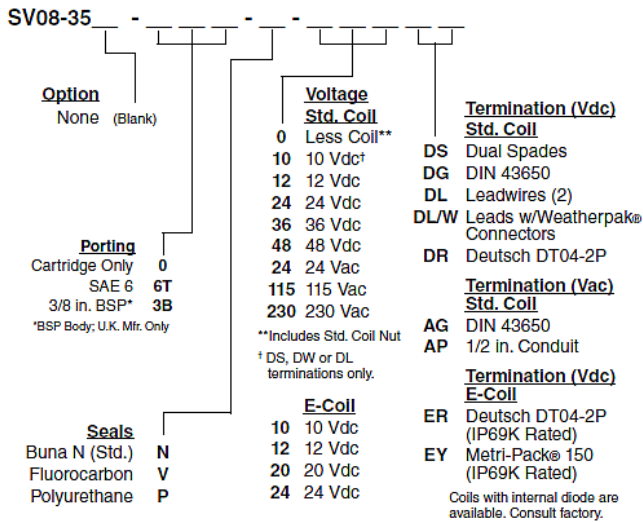
Installation Specifications

Cavity	VC08-3
Cartridge installation torque	25.8 to 28.5 N-m (19 to 21 ft-lb)
Coil nut torque	5.4 to 6.8 N-m (4 to 5 ft-lb)
Orientation restriction	None

Accessories

Seal kit	SK08-3X-MM	- Note: X = seal option
----------	------------	-------------------------

Order Code



Model Options

SV08-35E-H-J-L

E Manual Override

CODE	DESCRIPTION
BLANK	NONE
M	Two Position Override, Red Knurled Knob

H Line Body

CODE	DESCRIPTION
0	No Body
4T	Aluminum SAE 4
6T	Aluminum SAE 6
6TD	Ductile Iron SAE 6
8TD	Ductile Iron SAE 8
3B	Aluminum BSPP 3/8" (3)
3BD	Ductile Iron BSPP 3/8" (3)

J Seal

CODE	DESCRIPTION
N	Buna-N
V	Fluorocarbon
P	Polyurethane
U	PPDI Urethane

L Coil

CODE	DESCRIPTION
0	No Coil
10DL	10 VDC, D-Coil, Dual Lead Wires
10DR/D	10 VDC, D-Coil, Deutsch with Diode
10DS	10 VDC, D-Coil, Dual Spade
10EL	10 VDC, E-Coil, Dual Lead Wires, 18 inches long
10EL/36	10 VDC, E-Coil, Dual Lead Wires, 36 inches long
10ER	10 VDC, E-Coil, Deutsch
10ER/Z	10 VDC, E-Coil, Deutsch with Zener Diode



CODE	DESCRIPTION
12DG	12 VDC, D-Coil, DIN 43650
12DL	12 VDC, D-Coil, Dual Lead Wires, 18 inches long
12DL/36	12 VDC, D-Coil, Dual Lead Wires, 36 inches long
12DL/W	12 VDC, D-Coil, Dual Lead Wires with Weatherpak
12DL/W/D	12 VDC, D-Coil, Dual Lead Wires with Weatherpak with Diode
12DR	12 VDC, D-Coil, Deutsch
12DR/D	12 VDC, D-Coil, Deutsch with Diode
12DR/Z	12 VDC, D-Coil, Deutsch with Zener Diode
12DS	12 VDC, D-Coil, Dual Spade
12EG	12 VDC, E-Coil, DIN 43650
12EG/Z	12 VDC, E-Coil, DIN 43650 with Zener Diode
12EJ	12 VDC, E-Coil, AMP Jr.
12EJ/Z	12 VDC, E-Coil, AMP Jr. with Zener Diode
12EL	12 VDC, E-Coil, Dual Lead Wires, 18 inches long
12EL/36	12 VDC, E-Coil, Dual Lead Wires, 36 inches long
12EL/Z	12 VDC, E-Coil, Dual Lead Wires with Zener Diode
12ER	12 VDC, E-Coil, Deutsch
12ER/Z	12 VDC, E-Coil, Deutsch with Zener Diode
12EY	12 VDC, E-Coil, Metri-Pack 150
12EY/Z	12 VDC, E-Coil, Metri-Pack 150 with Zener Diode
20DG	20 VDC, D-Coil, DIN 43650
20DS	20 VDC, D-Coil, Dual Spade
20ER	20 VDC, E-Coil, Deutsch
20ER/Z	20 VDC, E-Coil, Deutsch with Zener Diode
24AG	24 VDC, D-Coil, DIN 43650
24AP	24 VDC, D-Coil, 1/2" Conduit and Dual Lead Wires
24DG	24 VDC, D-Coil, DIN 43650
24DL	24 VDC, D-Coil, Dual Lead Wires, 18 inches long
24DL/36	24 VDC, D-Coil, Dual Lead Wires, 36 inches long
24DL/W	24 VDC, D-Coil, Dual Lead Wires with Weatherpak
24DR	24 VDC, D-Coil, Deutsch
24DR/D	24 VDC, D-Coil, Deutsch with Diode
24DR/Z	24 VDC, D-Coil, Deutsch with Zener Diode
24DS	24 VDC, D-Coil, Dual Spade
24EG	24 VDC, E-Coil, DIN 43650
24EG/Z	24 VDC, E-Coil, DIN 43650 with Zener Diode
24EJ	24 VDC, E-Coil, AMP Jr.
24EL/D	24 VDC, E-Coil, Dual Lead Wires with Diode
24ER	24 VDC, E-Coil, Deutsch
24ER/Z	24 VDC, E-Coil, Deutsch with Zener Diode
24EY	24 VDC, E-Coil, Metri-Pack 150
24EY/Z	24 VDC, E-Coil, Metri-Pack 150 with Zener Diode
36DG	36 VDC, D-Coil, DIN 43650



CODE	DESCRIPTION
36DS	36 VDC, D-Coil, Dual Spade
115AG	115 VAC, D-Coil, DIN 43650
115AP	115 VAC, D-Coil, 1/2" Conduit and Dual Lead Wires
230AG	230 VAC, D-Coil, DIN 43650
230AP	230 VAC, D-Coil, 1/2" Conduit and Dual Lead Wires