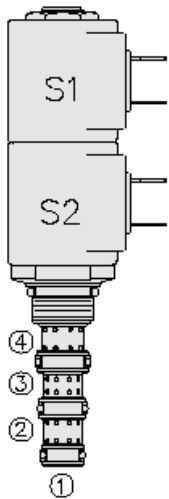
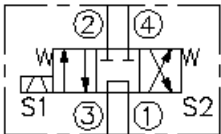




## Overview



### Symbol



### Description

A solenoid-operated, 4-port, 3-position, direct acting spool type screw-in hydraulic cartridge valve.

### Operation

When de-energized, the SV08-47AX blocks cylinder ports, while allowing flow from 3 to 1. When coil 1 is energized, flow is allowed from 3 to 2, and from 4 to 1. When coil 2 is energized, flow is allowed from 3 to 4, and from 2 to 1. In circuits where work port flows are unequal due to cylinder ratios, the higher return flow should be directed to port 2.

### Features

- Continuous-duty rated solenoid.
- Hardened precision spool and cage for long life.
- Optional coil voltages and terminations.
- Manual override option.
- Optional waterproof E&C® Coils rated up to IP69K.
- Efficient wet-armature construction.
- All ports may be fully pressurized.
- Cartridges are voltage interchangeable.
- Unitized, molded coil design.
- Industry-common cavity
- Compact size.

## Ratings

### Pressure Ratings

Pressure rating	240 bar (3500 psi)
Proof pressure	344 bar (5000 psi)
Burst pressure	779 bar (11300 psi)

### Flow Ratings

Flow rating	See "performance range"
Maximum internal leakage	164 ml/min (10 in <sup>3</sup> /min) - <b>Note:</b> At 207 bar (3000 psi)

### Temperature Ratings

Operating fluid temperature	-40 to 100 °C (-40 to 212 °F)	- <b>Note:</b> With buna N seals
	-26 to 204 °C (-15 to 400 °F)	- <b>Note:</b> With fluorocarbon seals
	-54 to 107 °C (-65 to 225 °F)	- <b>Note:</b> With polyurethane seals
Storage temperature	-40 to 70 °C (-40 to 160 °F)	
Ambient temperature	-40 to 70 °C (-40 to 160 °F)	

## Operating Parameters

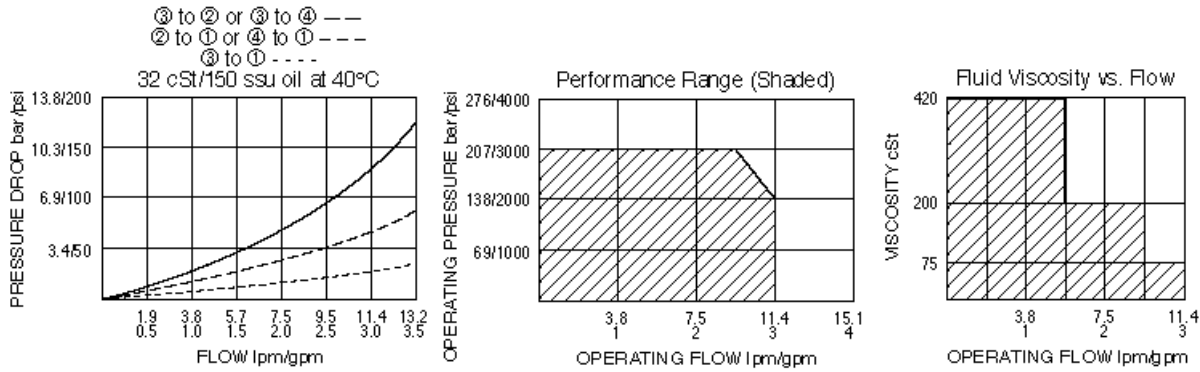
Fluids	Mineral based or synthetic hydraulic fluid with lubricating properties
Fluid viscosity range	7.4 to 420 cSt
Maximum operating contamination level	20/18/14 per ISO 4406

## Properties

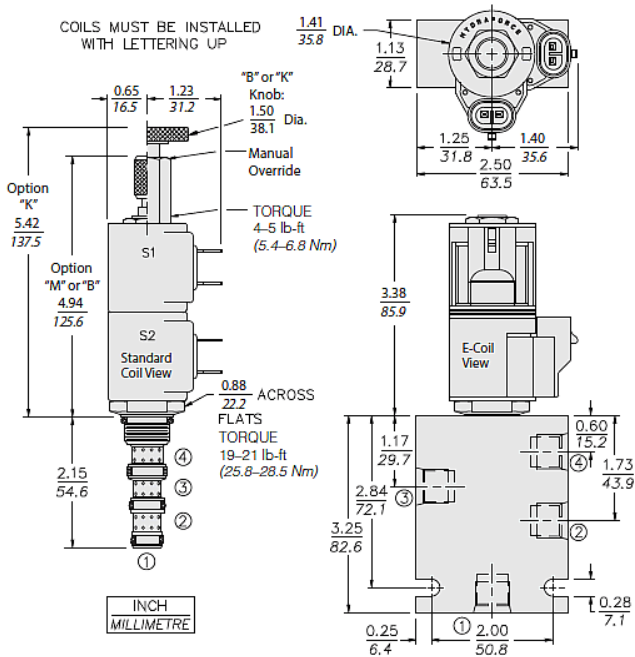
Unit weight	0.157 kg (0.346 lb)
Internal wetted surface area	166 cm <sup>2</sup> (25.7 in <sup>2</sup> )



## Performance



## Dimensions



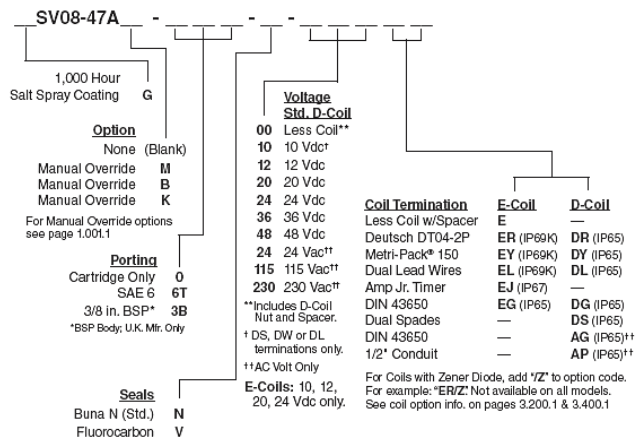
## Installation Specifications

Cavity	VC08-4
Cartridge installation torque	25.8 to 28.5 N-m (19 to 21 ft-lb)
Maximum allowable torque	47.5 N-m (35 ft-lb) - <b>Note:</b> In aluminum
Coil nut torque	5.4 to 6.8 N-m (4 to 5 ft-lb)
Orientation restriction	None

## Accessories

Seal kit	SK08-4X-MMM - <b>Note:</b> X = seal option
----------	--

## Order Code



## Model Options

### SV08-47AE-H-J-L

#### E Manual Override

CODE	DESCRIPTION
BLANK	NONE

#### H Line Body

CODE	DESCRIPTION
0	No Body
6T	Aluminum SAE 6
6TD	Ductile Iron SAE 6
3B	Aluminum BSPP 3/8" (3)
3BD	Ductile Iron BSPP 3/8" (3)

#### J Seal

CODE	DESCRIPTION
N	Buna-N
V	Fluorocarbon
P	Polyurethane
U	PPDI Urethane

#### L Coil

CODE	DESCRIPTION
0	No Coil, D-Coil Spacer
0E	No Coil, E-Coil Spacer
10DL	10 VDC, D-Coil, Dual Lead Wires
10DR/D	10 VDC, D-Coil, Deutsch with Diode
10DS	10 VDC, D-Coil, Dual Spade
10EL	10 VDC, E-Coil, Dual Lead Wires, 18 inches long
10EL/36	10 VDC, E-Coil, Dual Lead Wires, 36 inches long
10ER	10 VDC, E-Coil, Deutsch
10ER/Z	10 VDC, E-Coil, Deutsch with Zener Diode
12DG	12 VDC, D-Coil, DIN 43650
12DL	12 VDC, D-Coil, Dual Lead Wires, 18 inches long
12DL/36	12 VDC, D-Coil, Dual Lead Wires, 36 inches long
12DL/W	12 VDC, D-Coil, Dual Lead Wires with Weatherpak



CODE	DESCRIPTION
12DL/W/D	12 VDC, D-Coil, Dual Lead Wires with Weatherpak with Diode
12DR	12 VDC, D-Coil, Deutsch
12DR/D	12 VDC, D-Coil, Deutsch with Diode
12DR/Z	12 VDC, D-Coil, Deutsch with Zener Diode
12DS	12 VDC, D-Coil, Dual Spade
12EG	12 VDC, E-Coil, DIN 43650
12EG/Z	12 VDC, E-Coil, DIN 43650 with Zener Diode
12EJ	12 VDC, E-Coil, AMP Jr.
12EJ/Z	12 VDC, E-Coil, AMP Jr. with Zener Diode
12EL	12 VDC, E-Coil, Dual Lead Wires, 18 inches long
12EL/36	12 VDC, E-Coil, Dual Lead Wires, 36 inches long
12EL/Z	12 VDC, E-Coil, Dual Lead Wires with Zener Diode
12ER	12 VDC, E-Coil, Deutsch
12ER/Z	12 VDC, E-Coil, Deutsch with Zener Diode
12EY	12 VDC, E-Coil, Metri-Pack 150
12EY/Z	12 VDC, E-Coil, Metri-Pack 150 with Zener Diode
20DG	20 VDC, D-Coil, DIN 43650
20DS	20 VDC, D-Coil, Dual Spade
20ER	20 VDC, E-Coil, Deutsch
20ER/Z	20 VDC, E-Coil, Deutsch with Zener Diode
24AG	24 VDC, D-Coil, DIN 43650
24AP	24 VDC, D-Coil, 1/2" Conduit and Dual Lead Wires
24DG	24 VDC, D-Coil, DIN 43650
24DL	24 VDC, D-Coil, Dual Lead Wires, 18 inches long
24DL/36	24 VDC, D-Coil, Dual Lead Wires, 36 inches long
24DL/W	24 VDC, D-Coil, Dual Lead Wires with Weatherpak
24DR	24 VDC, D-Coil, Deutsch
24DR/D	24 VDC, D-Coil, Deutsch with Diode
24DR/Z	24 VDC, D-Coil, Deutsch with Zener Diode
24DS	24 VDC, D-Coil, Dual Spade
24EG	24 VDC, E-Coil, DIN 43650
24EG/Z	24 VDC, E-Coil, DIN 43650 with Zener Diode
24EJ	24 VDC, E-Coil, AMP Jr.
24EL/D	24 VDC, E-Coil, Dual Lead Wires with Diode
24ER	24 VDC, E-Coil, Deutsch
24ER/Z	24 VDC, E-Coil, Deutsch with Zener Diode
24EY	24 VDC, E-Coil, Metri-Pack 150
24EY/Z	24 VDC, E-Coil, Metri-Pack 150 with Zener Diode
36DG	36 VDC, D-Coil, DIN 43650
36DS	36 VDC, D-Coil, Dual Spade
115AG	115 VAC, D-Coil, DIN 43650
115AP	115 VAC, D-Coil, 1/2" Conduit and Dual Lead Wires
230AG	230 VAC, D-Coil, DIN 43650



CODE	DESCRIPTION
230AP	230 VAC, D-Coil, 1/2" Conduit and Dual Lead Wires