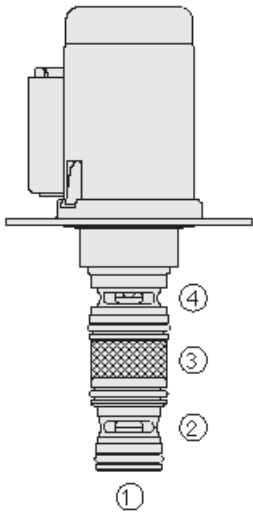




Overview



Description

This valve is a direct-acting, spool-type, 2-position, 4-way directional control valve. It is a drop-in, flange mounted, cartridge type valve for use with general purpose hydraulic fluids. Pressure at the tank port (port 1) should not exceed 50 psi [3.4 bar] for proper valve function. The coil is an integral part of the valve and is not serviceable.

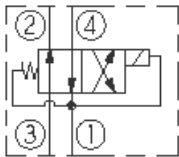
Operation

When de-energized, the SV98-T40 allows flow from port 3 to port 2 and from port 4 to port 1. When energized, the cartridge spool shifts to allow flow from port 3 to port 4 and from port 2 to port 1.

Features

- Economical drop-in style.
- Integral waterproof coil standard; see page 3.400.1_pdf for a description of tests conducted to verify coil waterproofing.
- 12 VDC or 24 VDC coils.
- Several push-on termination options.

Symbol



Ratings

Pressure Ratings

Pressure rating 30 bar (435 psi)

Flow Ratings

Flow rating 30 lpm (8 gpm)

Maximum internal leakage 70 ml/min (4.3 in³/min) - **Note:** Max from inlet to tank at and 30 bar (435 psi)
40 °C (248 °F)

Temperature Ratings

Operating fluid temperature -40 to 149 °C (-40 to 300 °F) - **Note:** HNBR seals

Storage temperature -40 to 70 °C (-40 to 160 °F)

Ambient temperature -40 to 90 °C (-40 to 194 °F)

Other Ratings

Corrosion protection 960 hour Salt-spray

Environmental rating IP69K - **Note:** Deutsch and Metri-pack

IP65 - **Note:** Amp

Response 50 ms - **Note:** First indication of change of state with 100% voltage and flow rating. Pull-in.

30 ms - **Note:** First indication of change of state with 100% voltage and flow rating. Drop-out.

Minimum pull-in voltage 80% of nominal voltage - **Note:** At 30 bar (435 psi), at 90 °C (194 °F)

Operating Parameters

Fluids Mineral based or synthetic hydraulic fluid with lubricating properties.

Fluid viscosity range 7.4 to 420 cSt

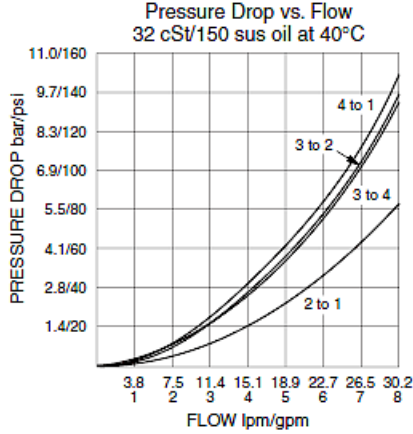
Maximum operating contamination level 20/18/14 per ISO4406



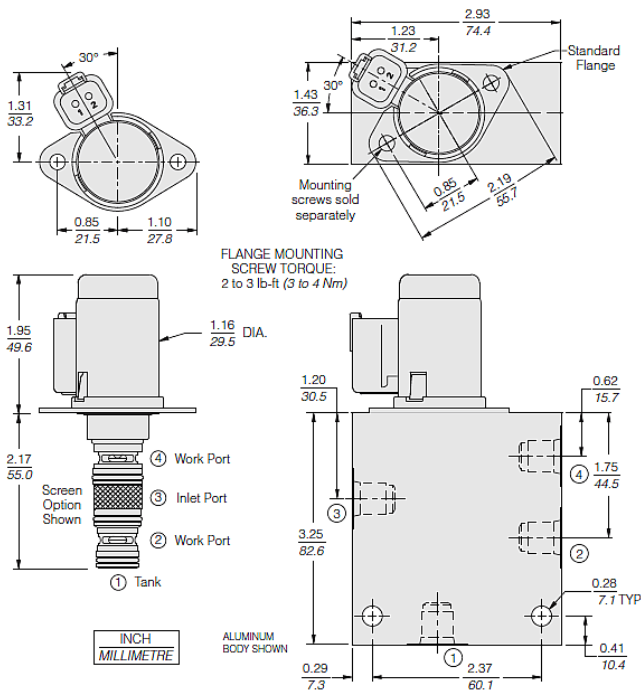
Properties

Unit weight	0.26 kg (0.57 lb)	- Note: Including coil
Internal wetted surface area	180.13 cm ² (27.92 in ²)	
Valve inductance	92 mH	- Note: 12 V coil
	276 mH	- Note: 24 V coil

Performance



Dimensions



Installation Specifications

Cavity	VC-T004
Installation type	Flange mounted (see "drop-in coil outline drawing" for flange options).
Orientation restrictions	None
Mounting screws	M5 X 8, HF P/N: 4000039 (sold separately)
Mounting screw torque	3 to 4 N-m (2.2 to 3.0 ft-lb)

Accessories

Seal kit	SK98-T4X	- Note: X = Seal option
----------	----------	--------------------------------



Order Code

SV98-T40		-		-		-		-		-		-	
Flange												Diode	
Standard (Blank)												(Blank) None	
Lock Down L												Z Bidirectional Zener Diode	
Option												Termination	
None (Blank)												DJ Amp Junior Timer	
233 µm screen on inlet port 3 S												DY2A Metri-Pack® 150.2A	
Porting												DR Deutsch DT04-2P	
Cartridge Only 0													
SAE 8 8T													
Seals												Voltage	
Hydrogenated Nitrile (HNBR) N												12 12 Vdc	
												24 24 Vdc	

Model Options

SV98-T40DG-H-J-KL

D Flange

CODE	DESCRIPTION
BLANK	Standard
L	Lock Down

G Screen

CODE	DESCRIPTION
BLANK	None
S	142 micron Screen

H Line Body

CODE	DESCRIPTION
0	No Body
8T	Aluminum SAE 8
2B	Aluminum BSPP 1/4" (2)

J Seal

CODE	DESCRIPTION
N	HNBR

K Coil Voltage

CODE	DESCRIPTION
12	12 VDC
24	24 VDC

L Coil Termination

CODE	DESCRIPTION
DJ	D-Coil, AMP Jr.
DJ/Z	D-Coil, AMP Jr. with Zener Diode
DR	D-Coil, Deutsch
DR/Z	D-Coil, Deutsch with Zener Diode
DY2A	D-Coil, Metri-Pack 150.2
DY2A/Z	D-Coil, Metri-Pack 150.2 with Zener Diode